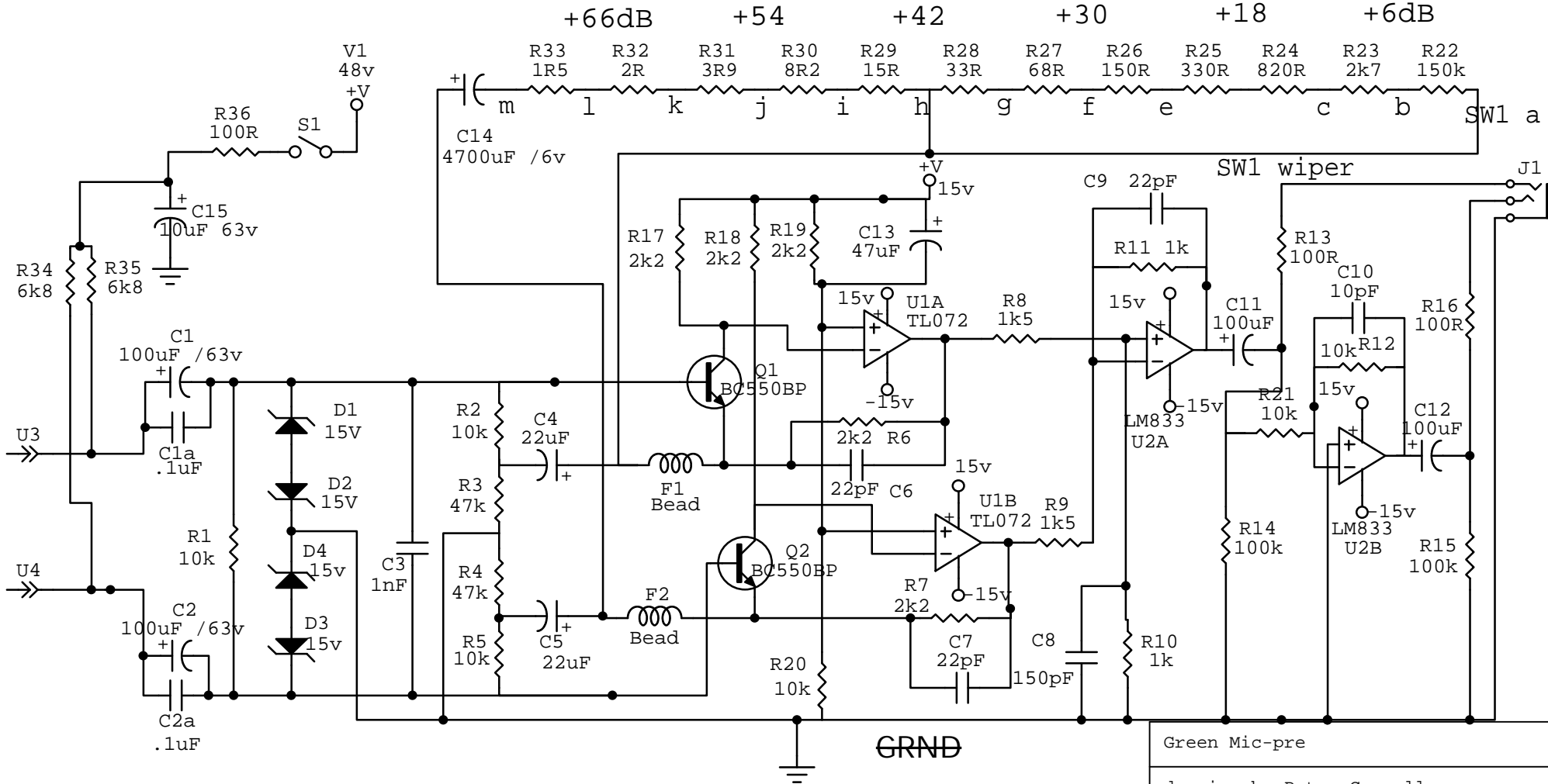


Gain Rotary Switch



Green Mic-pre

drawing by Peter Cornell
for Group DIY

Rev	ID
rev 2	MOTZART_2.ckt

Date: 20/09/2002 Page: 1 of 1